

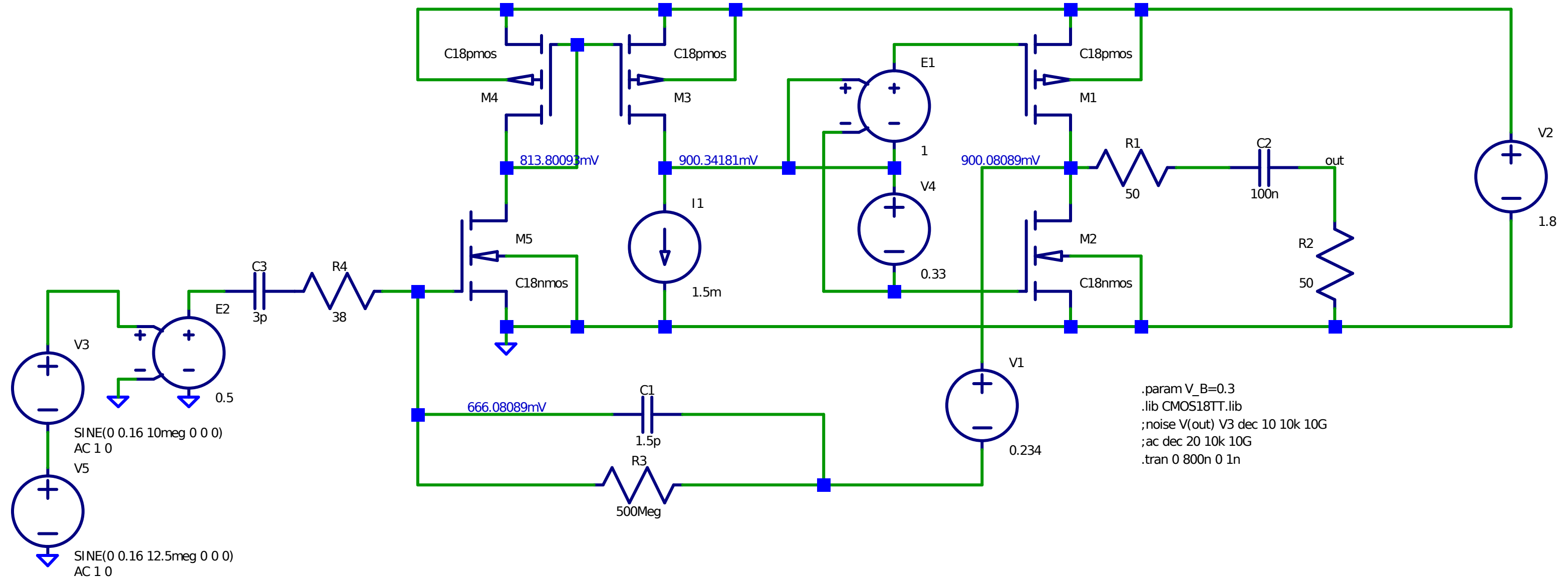
Structured Electronic Design

EE4109

Biasing concept
of the
active antenna

Anton J.M. Montagne

Biasing concept active antenna



LTspice: BiasingConcept.asc