

# **Structured Electronic Design**

EE3C11

Amplifier Port Isolation

*Anton J.M. Montagne*

# Ground node

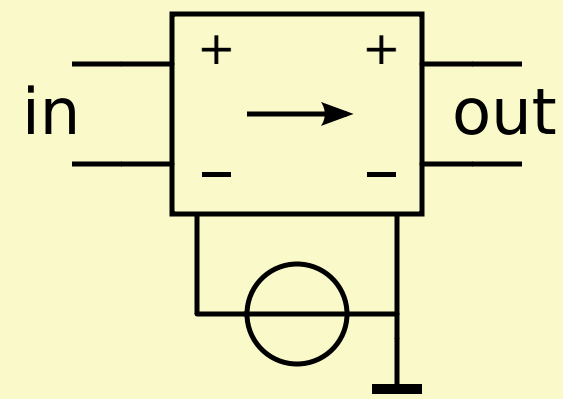
⏏ Safety ground: zero-voltage reference node

⊥ Signal ground: signal return path

May be shared by amplifier ports

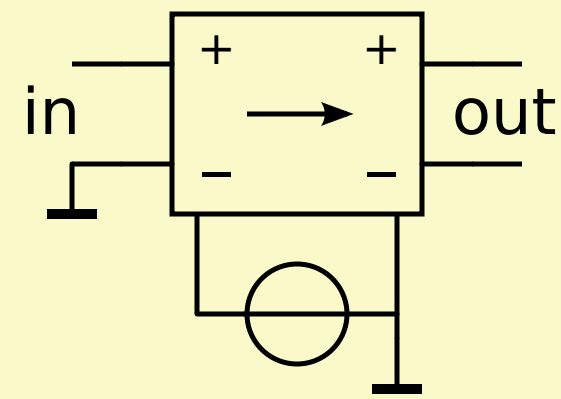
# Port Isolation Configurations

differential receiver-driver



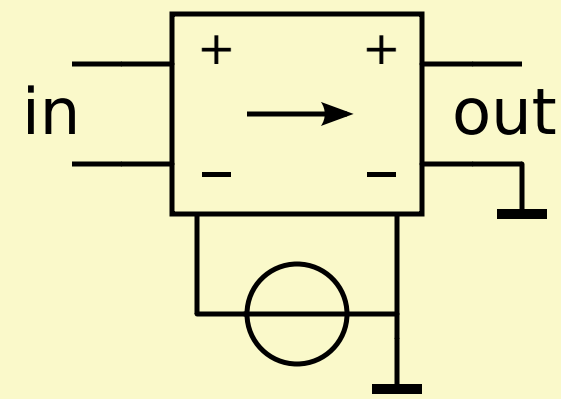
power supply

differential driver



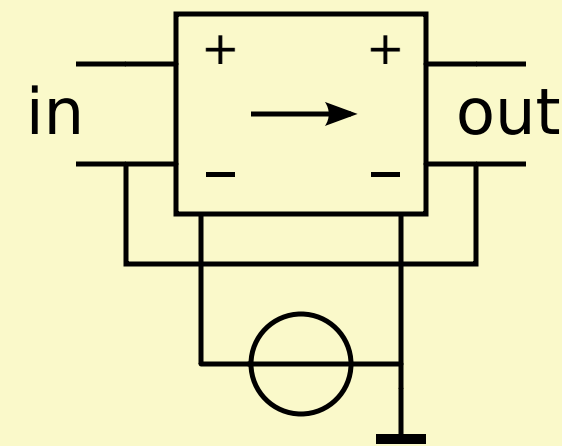
power supply

differential receiver or instrumentation amplifier



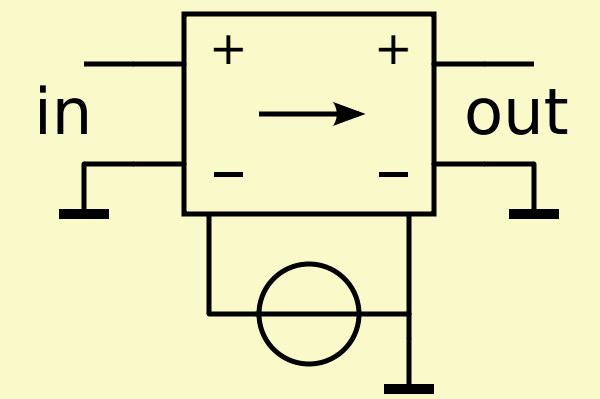
power supply

isolated power



power supply

common ground



power supply