

Structured Electronic Design

Selection of the loop gain reference

Anton J.M. Montagne

Two-step design

Two-step design

First design step: design of ideal transfer:

Two-step design

First design step: design of ideal transfer:

Load quantity sensing

Two-step design

First design step: design of ideal transfer:

Load quantity sensing

Feedback network with reciprocal transfer

Two-step design

First design step: design of ideal transfer:

Load quantity sensing

Feedback network with reciprocal transfer

Source quantity comparison

Two-step design

First design step: design of ideal transfer:

Load quantity sensing

Feedback network with reciprocal transfer

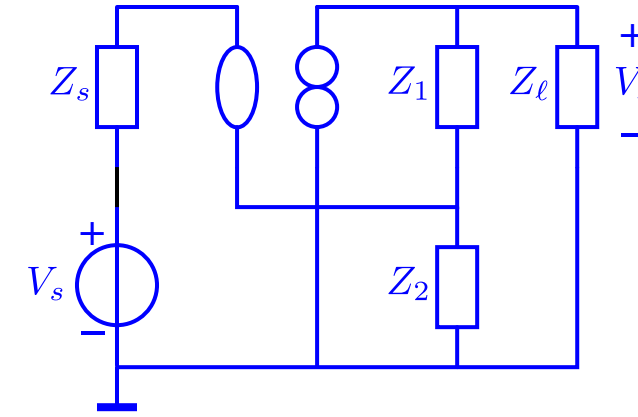
Source quantity comparison

Error nullification

Two-step design

First design step: design of ideal transfer:

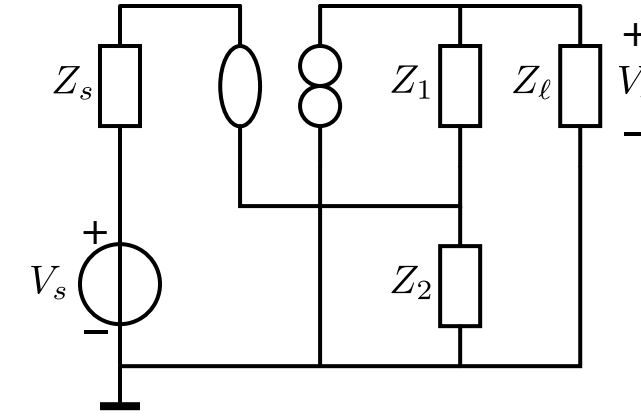
- Load quantity sensing
- Feedback network with reciprocal transfer
- Source quantity comparison
- Error nullification



Two-step design

First design step: design of ideal transfer:

- Load quantity sensing
- Feedback network with reciprocal transfer
- Source quantity comparison
- Error nullification

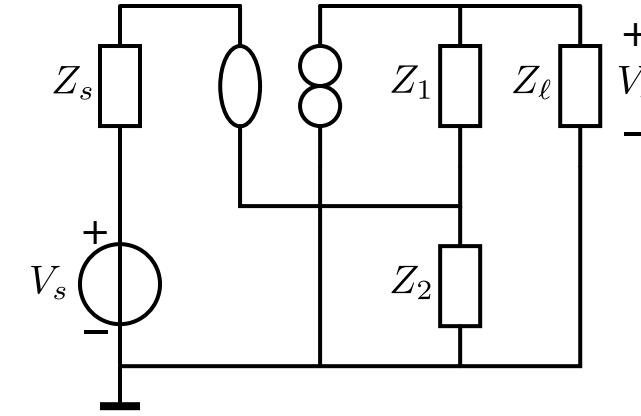


controller = nullor:
ideal gain:

Two-step design

First design step: design of ideal transfer:

- Load quantity sensing
- Feedback network with reciprocal transfer
- Source quantity comparison
- Error nullification



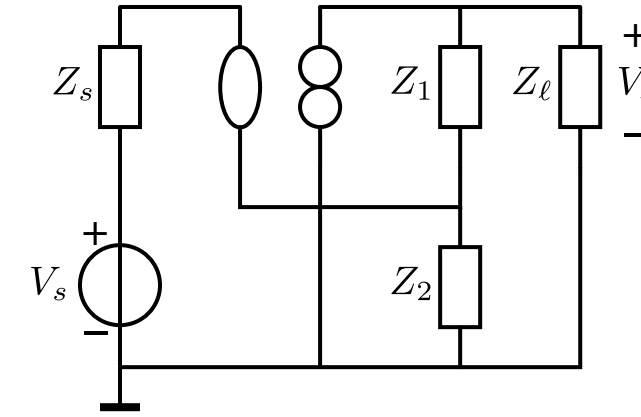
controller = nullor:
ideal gain:

$$A_i = \frac{Z_1 + Z_2}{Z_2}$$

Two-step design

First design step: design of ideal transfer:

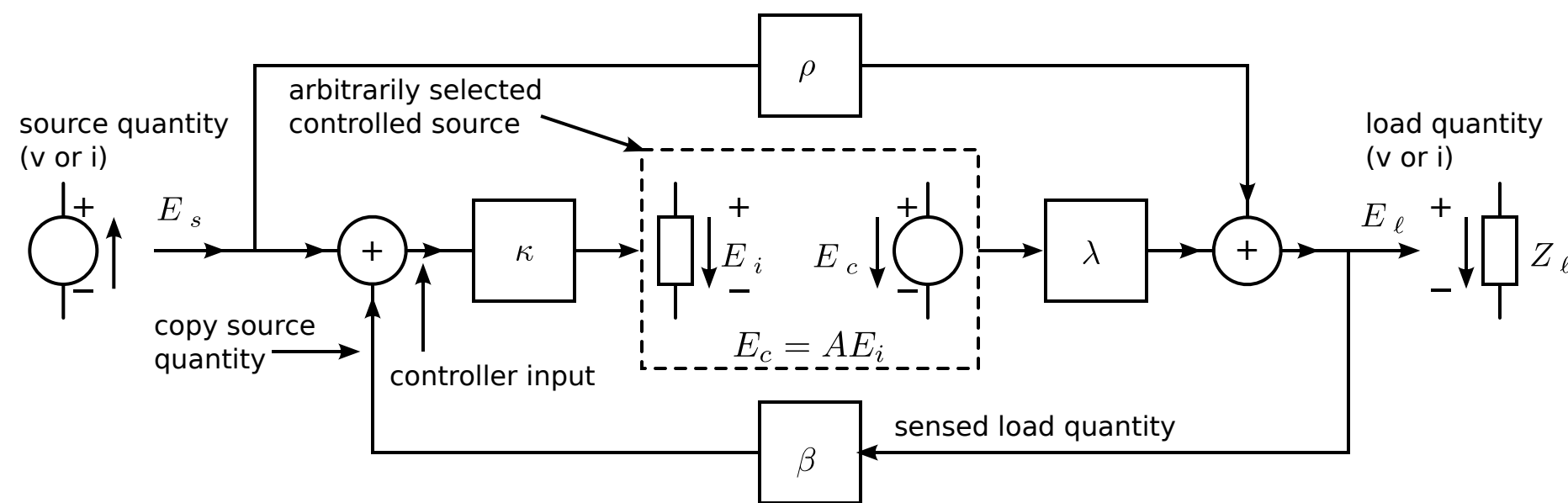
- Load quantity sensing
- Feedback network with reciprocal transfer
- Source quantity comparison
- Error nullification



controller = nullor:
ideal gain:

$$A_i = \frac{Z_1 + Z_2}{Z_2}$$

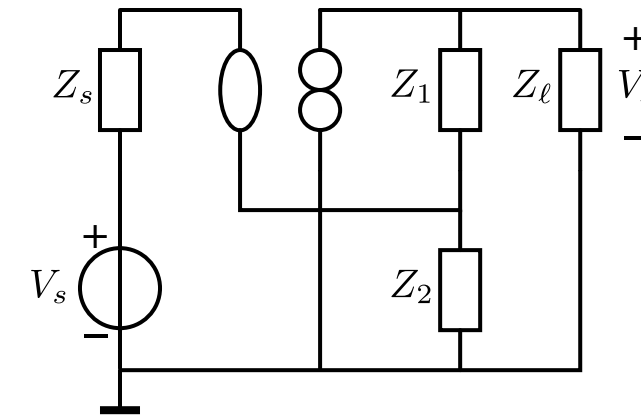
Generalized model of network with feedback:



Two-step design

First design step: design of ideal transfer:

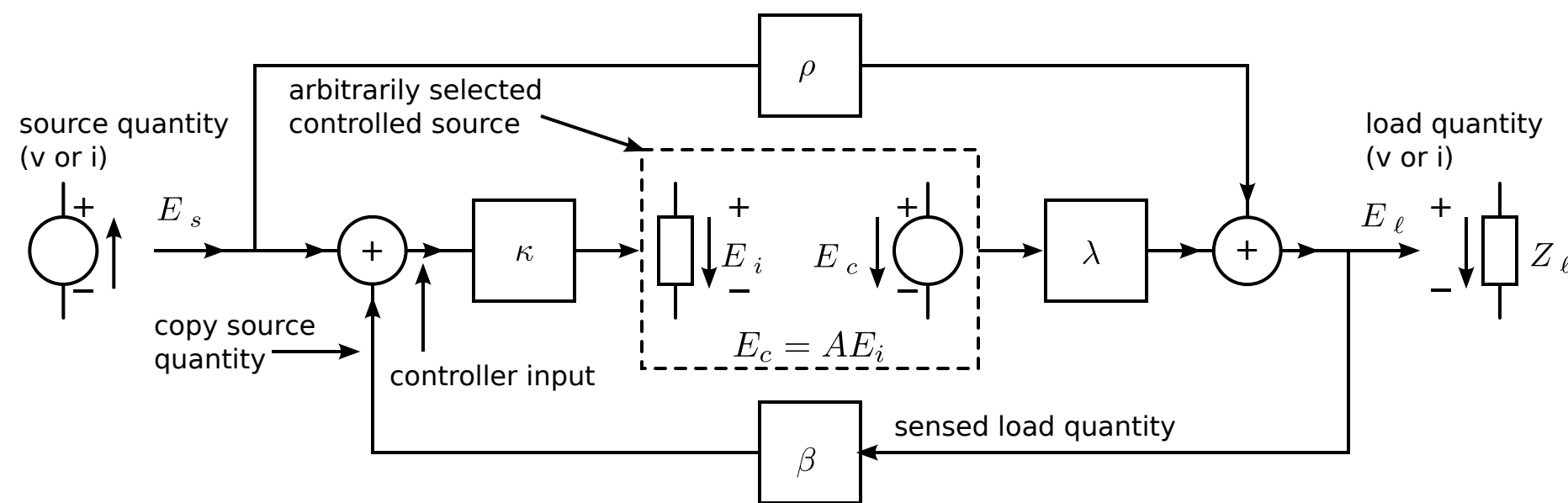
- Load quantity sensing
- Feedback network with reciprocal transfer
- Source quantity comparison
- Error nullification



controller = nullor:
ideal gain:

$$A_i = \frac{Z_1 + Z_2}{Z_2}$$

Generalized model of network with feedback:

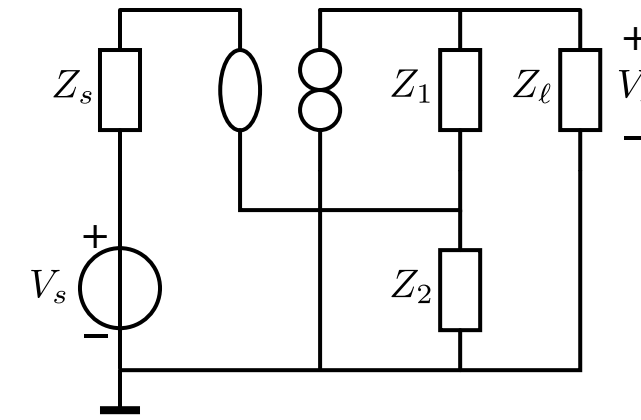


$$A_{f\infty} = -\rho - \frac{1}{\beta}$$

Two-step design

First design step: design of ideal transfer:

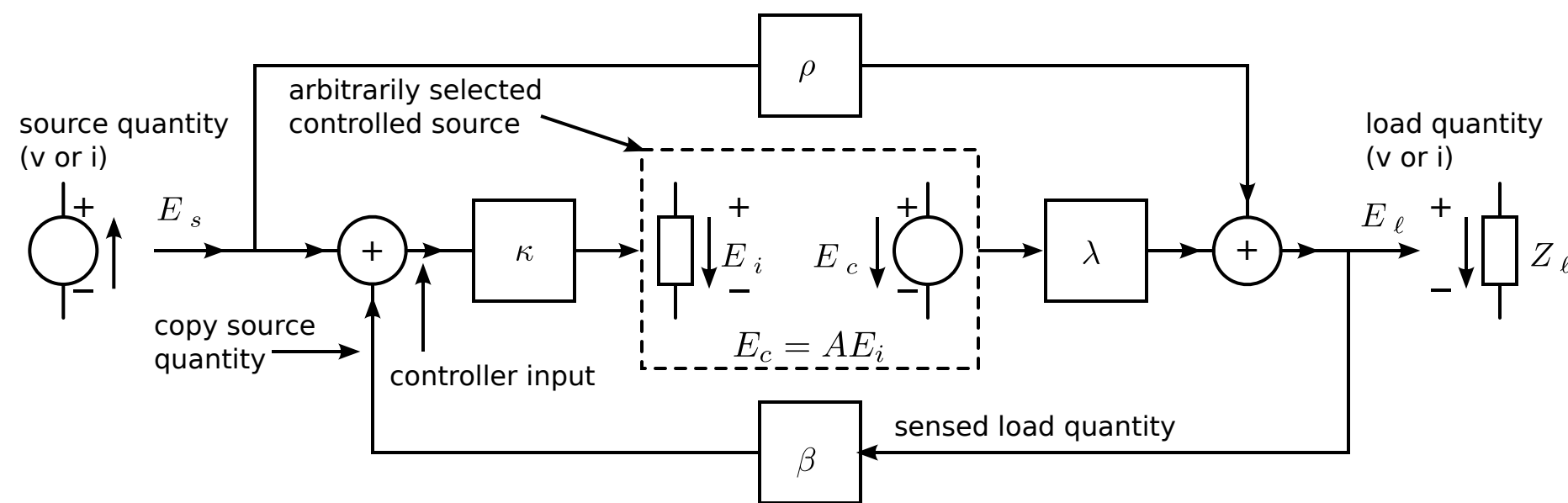
- Load quantity sensing
- Feedback network with reciprocal transfer
- Source quantity comparison
- Error nullification



controller = nullor:
ideal gain:

$$A_i = \frac{Z_1 + Z_2}{Z_2}$$

Generalized model of network with feedback:



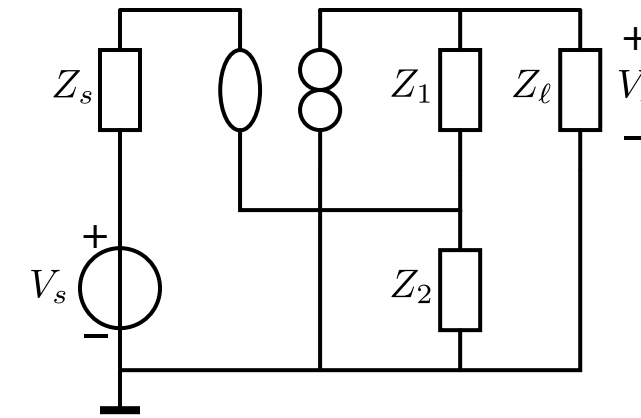
$$A_{f\infty} = -\rho - \frac{1}{\beta}$$

$$A_f = A_{f\infty} \frac{-L}{1-L} + \frac{\rho}{1-L}$$

Two-step design

First design step: design of ideal transfer:

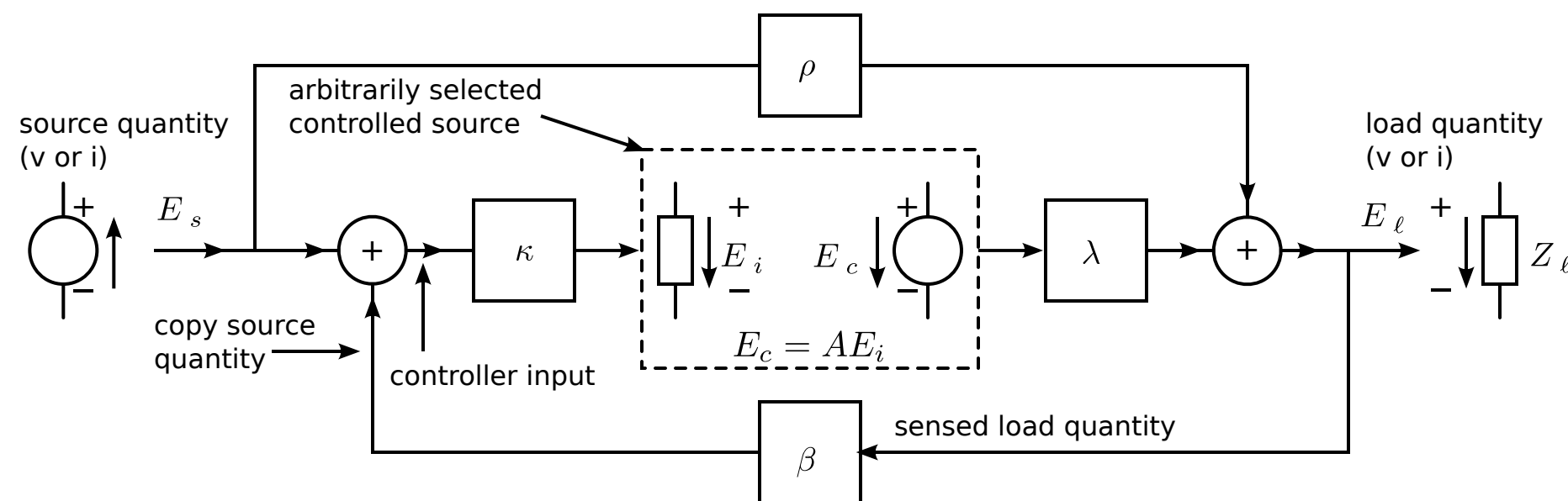
- Load quantity sensing
- Feedback network with reciprocal transfer
- Source quantity comparison
- Error nullification



controller = nullor:
ideal gain:

$$A_i = \frac{Z_1 + Z_2}{Z_2}$$

Generalized model of network with feedback:



$$A_{f\infty} = -\rho - \frac{1}{\beta}$$

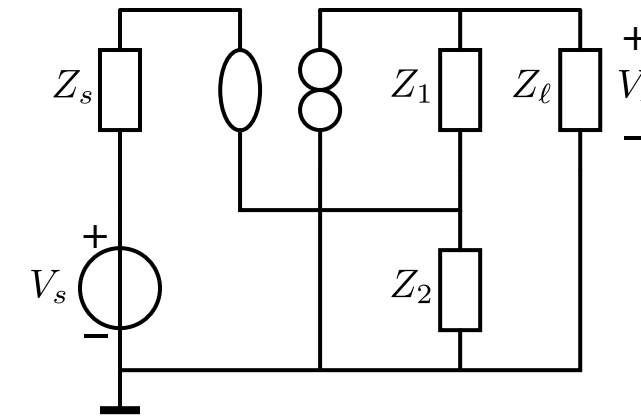
$$A_f = A_{f\infty} \frac{-L}{1-L} + \frac{\rho}{1-L}$$

Two-step design if:

Two-step design

First design step: design of ideal transfer:

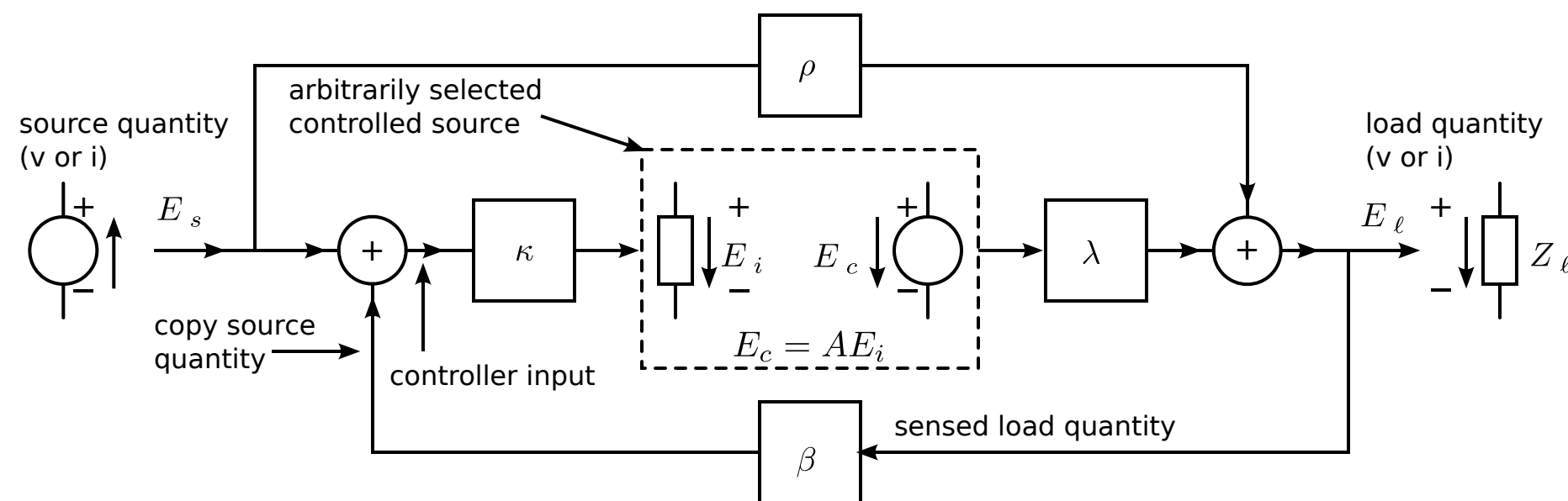
- Load quantity sensing
- Feedback network with reciprocal transfer
- Source quantity comparison
- Error nullification



controller = nullor:
ideal gain:

$$A_i = \frac{Z_1 + Z_2}{Z_2}$$

Generalized model of network with feedback:



$$A_{f\infty} = -\rho - \frac{1}{\beta}$$

$$A_f = A_{f\infty} \frac{-L}{1-L} + \frac{\rho}{1-L}$$

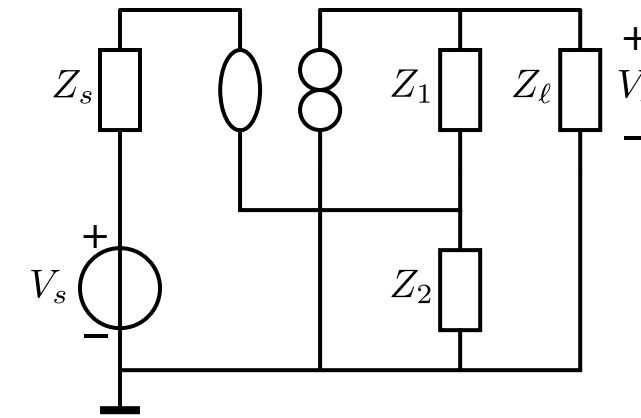
Two-step design if:

$$A_{f\infty} = A_i$$

Two-step design

First design step: design of ideal transfer:

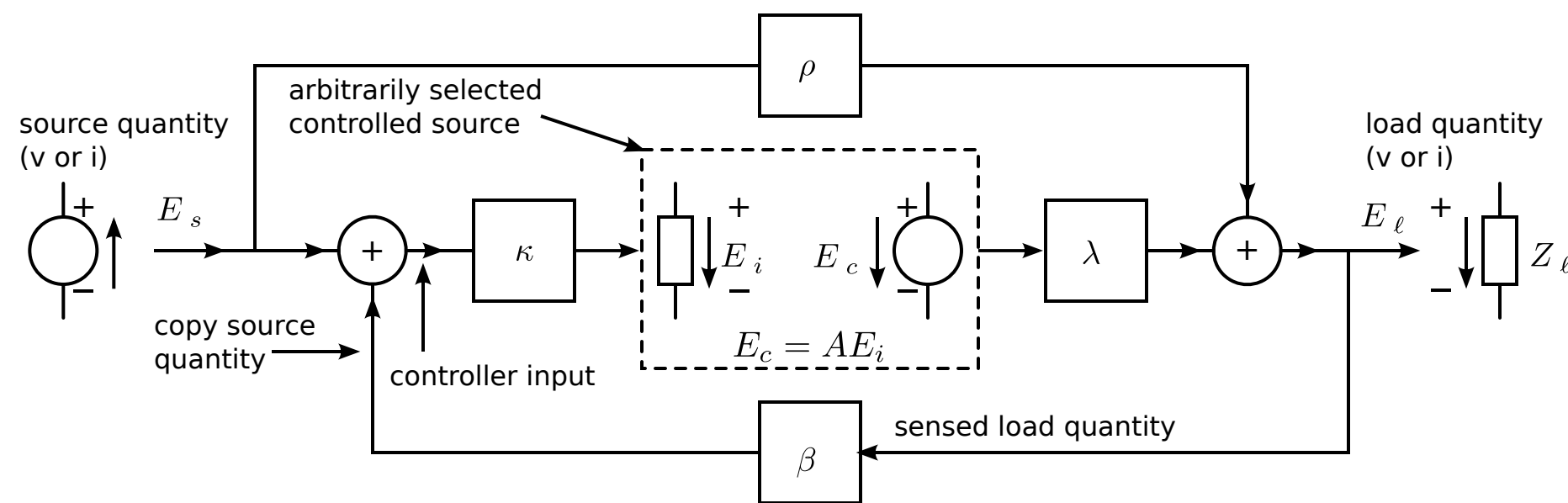
- Load quantity sensing
- Feedback network with reciprocal transfer
- Source quantity comparison
- Error nullification



controller = nullor:
ideal gain:

$$A_i = \frac{Z_1 + Z_2}{Z_2}$$

Generalized model of network with feedback:



$$A_{f\infty} = -\rho - \frac{1}{\beta}$$

$$A_f = A_{f\infty} \frac{-L}{1-L} + \frac{\rho}{1-L}$$

Two-step design if:

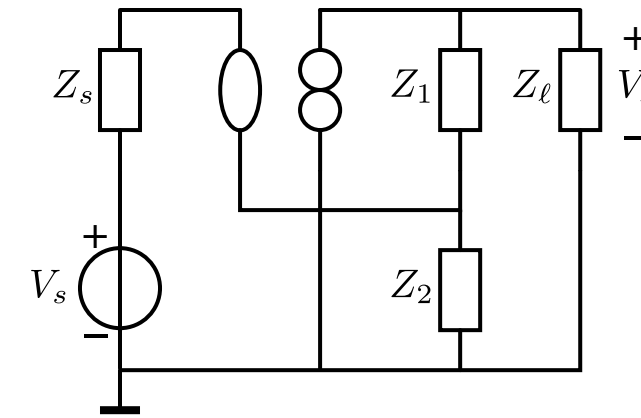
$$A_{f\infty} = A_i$$

$$A_f = A_i \overline{1-L}$$

Two-step design

First design step: design of ideal transfer:

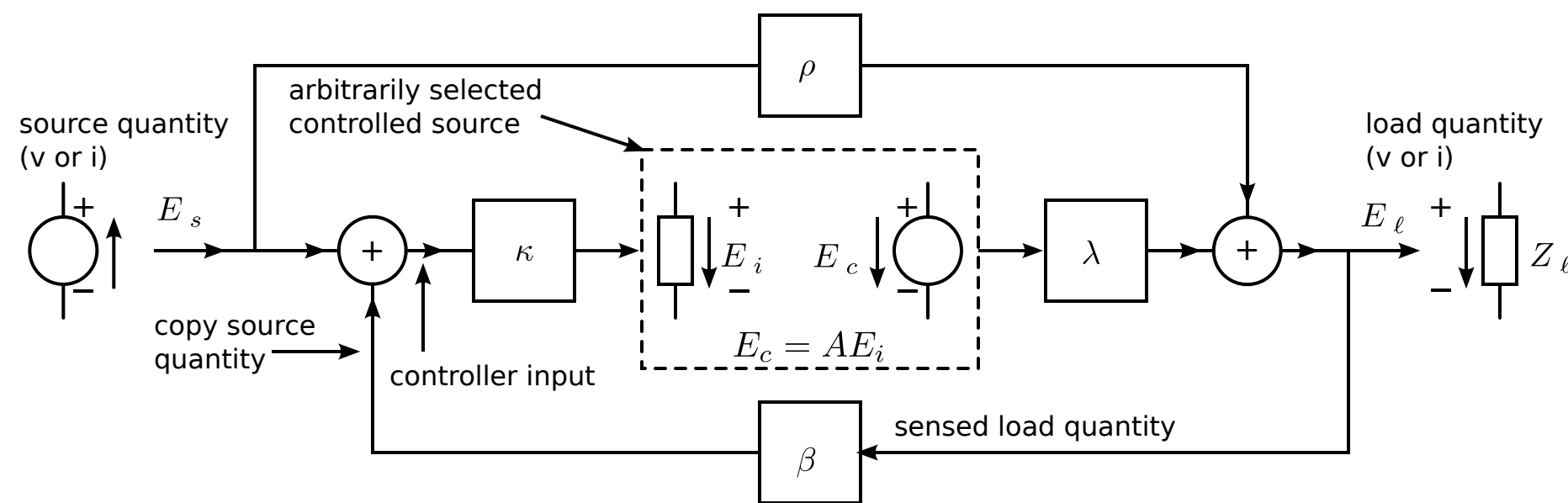
- Load quantity sensing
- Feedback network with reciprocal transfer
- Source quantity comparison
- Error nullification



controller = nullor:
ideal gain:

$$A_i = \frac{Z_1 + Z_2}{Z_2}$$

Generalized model of network with feedback:



$$A_{f\infty} = -\rho - \frac{1}{\beta}$$

$$A_f = A_{f\infty} \frac{-L}{1-L} + \frac{\rho}{1-L}$$

Two-step design if:

$$A_{f\infty} = A_i$$

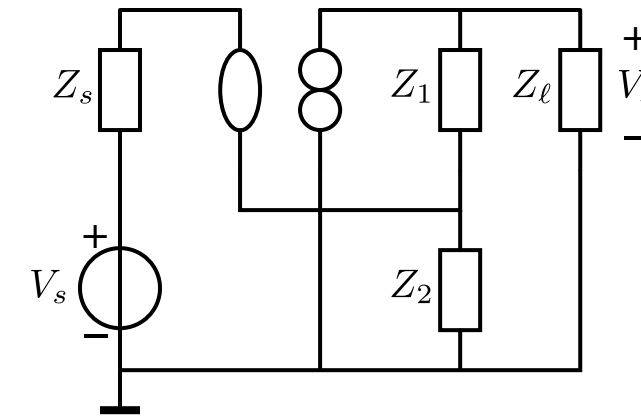
Step 1

$$A_f = A_i \frac{-L}{1-L}$$

Two-step design

First design step: design of ideal transfer:

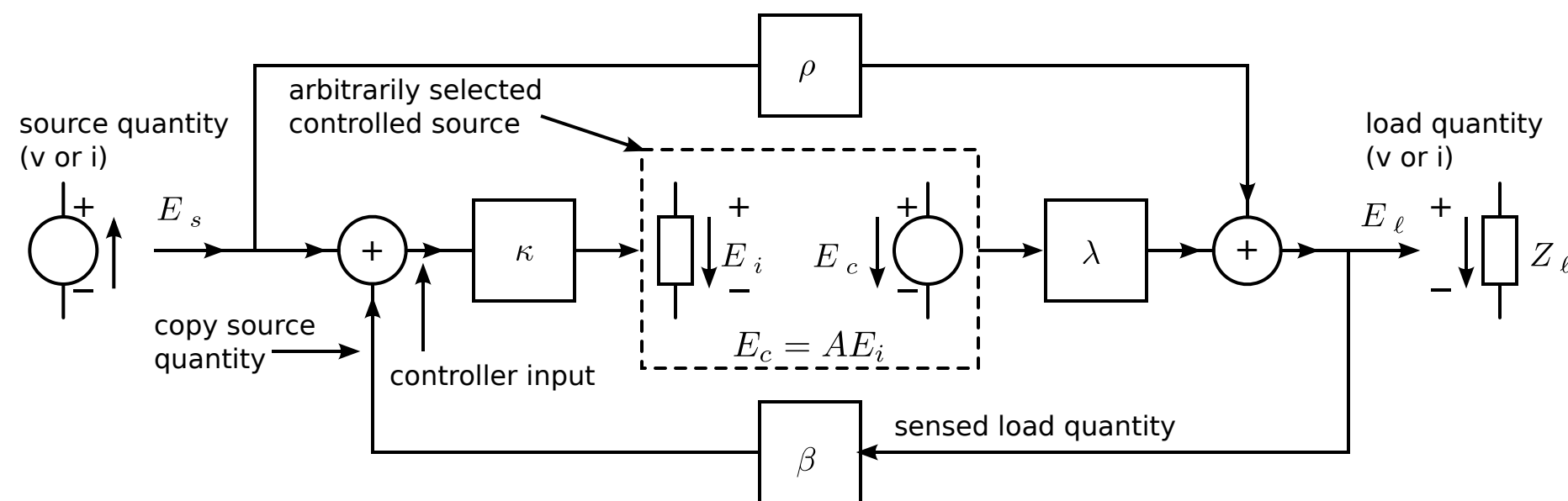
- Load quantity sensing
- Feedback network with reciprocal transfer
- Source quantity comparison
- Error nullification



controller = nullor:
ideal gain:

$$A_i = \frac{Z_1 + Z_2}{Z_2}$$

Generalized model of network with feedback:



$$A_{f\infty} = -\rho - \frac{1}{\beta}$$

$$A_f = A_{f\infty} \frac{-L}{1-L} + \frac{\rho}{1-L}$$

Two-step design if:

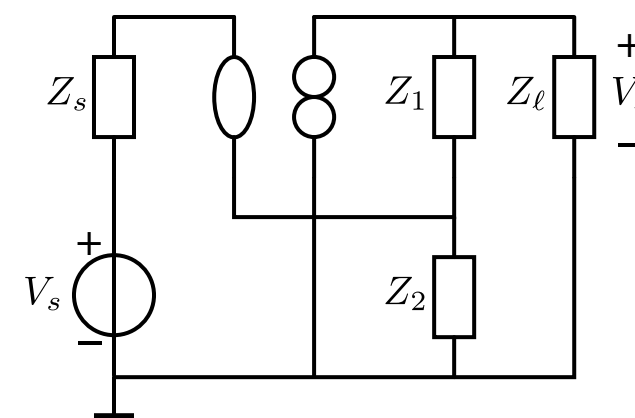
$$A_{f\infty} = A_i$$

Step 1 \swarrow $A_f = A_i \frac{-L}{1-L}$ \nwarrow Step 2

Two-step design

First design step: design of ideal transfer:

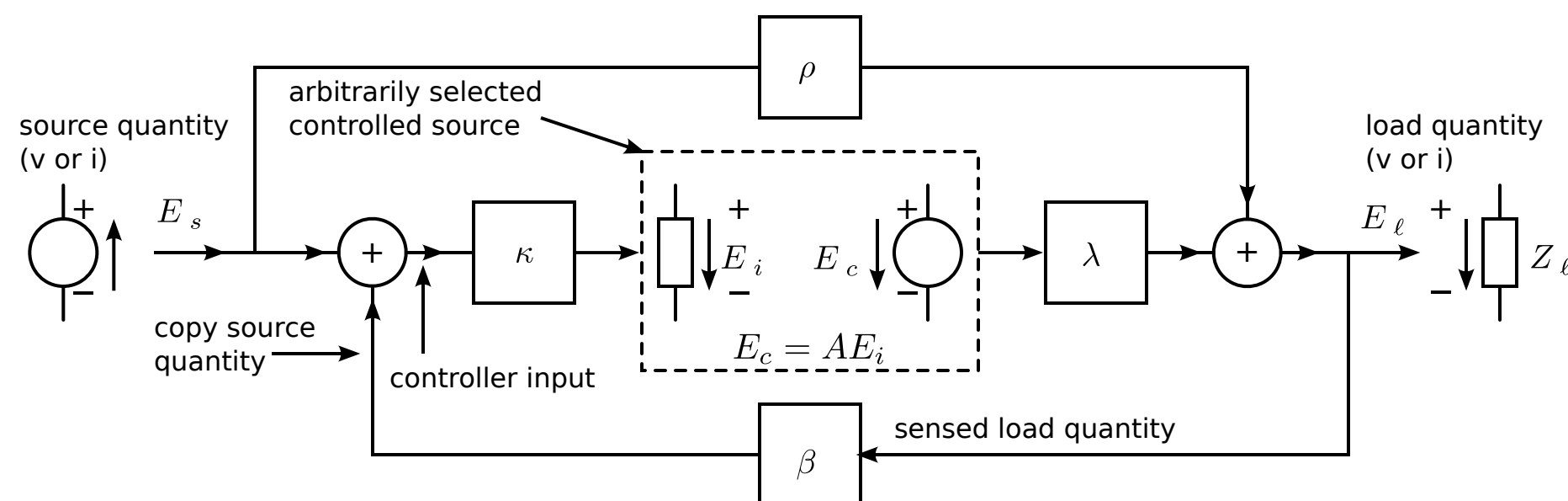
- Load quantity sensing
- Feedback network with reciprocal transfer
- Source quantity comparison
- Error nullification



controller = nullor:
ideal gain:

$$A_i = \frac{Z_1 + Z_2}{Z_2}$$

Generalized model of network with feedback:



$$A_{f\infty} = -\rho - \frac{1}{\beta}$$

$$A_f = A_{f\infty} \frac{-L}{1-L} + \frac{\rho}{1-L}$$

Ideal gain = asymptotic gain
if the controller behaves as a nullor in cases
in which the gain of the loop gain reference
becomes infinity

Two-step design if:

$$A_{f\infty} = A_i$$

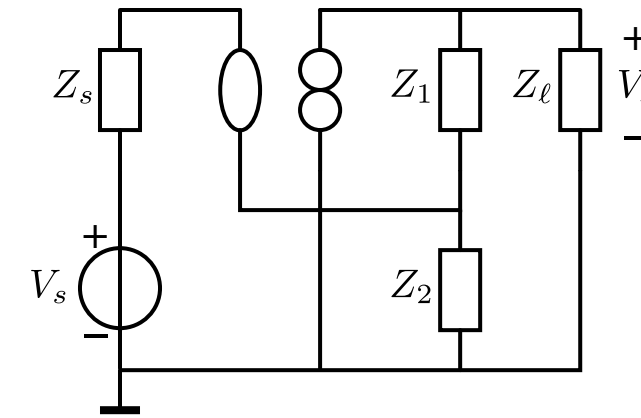
Step 1 ↘ ↙ Step 2

$$A_f = A_i \frac{-L}{1-L}$$

Two-step design

First design step: design of ideal transfer:

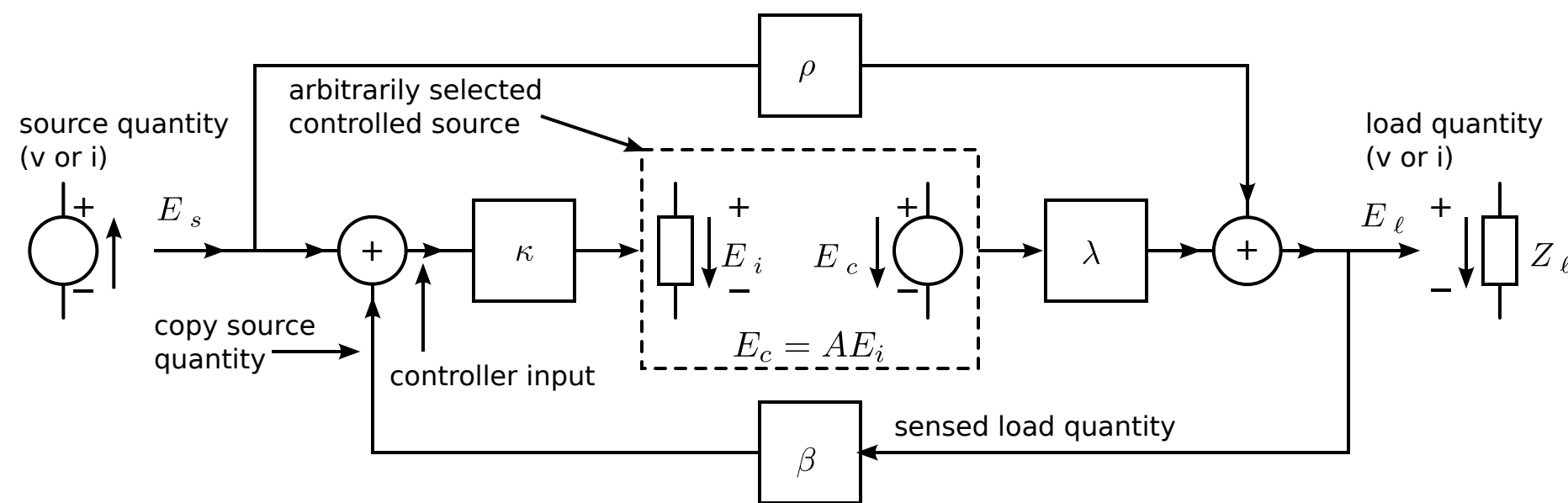
- Load quantity sensing
- Feedback network with reciprocal transfer
- Source quantity comparison
- Error nullification



controller = nullor:
ideal gain:

$$A_i = \frac{Z_1 + Z_2}{Z_l}$$

Generalized model of network with feedback:



$$A_{f\infty} = -\rho - \frac{1}{\beta}$$

$$A_f = A_{f\infty} \frac{-L}{1-L} + \frac{\rho}{1-L}$$

Ideal gain = asymptotic gain
if the controller behaves as a nullor in cases
in which the gain of the loop gain reference
becomes infinity

See example 10.3

Two-step design if:

$$A_{f\infty} = A_i$$

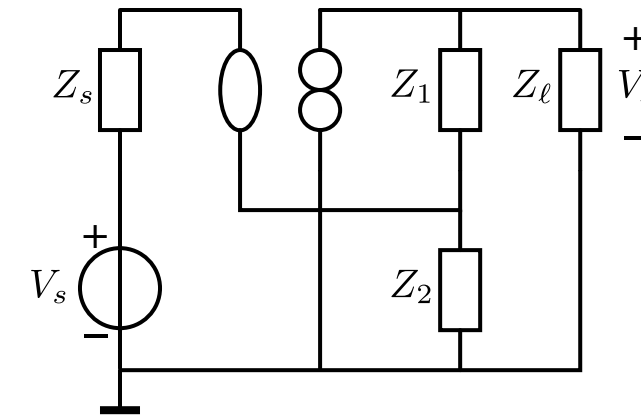
Step 1 ↘ ↙ Step 2

$$A_f = A_i \frac{-L}{1-L}$$

Two-step design

First design step: design of ideal transfer:

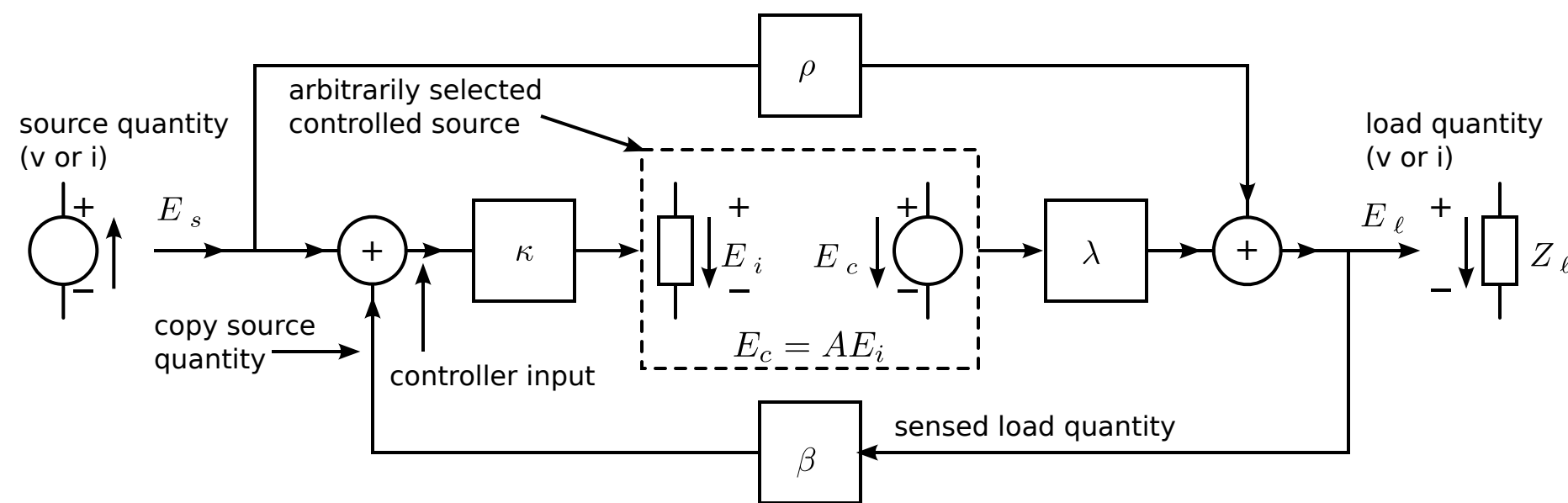
- Load quantity sensing
- Feedback network with reciprocal transfer
- Source quantity comparison
- Error nullification



controller = nullor:
ideal gain:

$$A_i = \frac{Z_1 + Z_2}{Z_2}$$

Generalized model of network with feedback:



$$A_{f\infty} = -\rho - \frac{1}{\beta}$$

$$A_f = A_{f\infty} \frac{-L}{1-L} + \frac{\rho}{1-L}$$

Ideal gain = asymptotic gain
if the controller behaves as a nullor in cases
in which the gain of the loop gain reference
becomes infinity

See example 10.3

Two-step design if:

$$A_{f\infty} = A_i$$

Step 1 ↘ ↙ Step 2

$$A_f = A_i \frac{-L}{1-L}$$

Selection of the reference variable

Selection of the reference variable

If such a selection is not possible:

Selection of the reference variable

If such a selection is not possible:

The loopgain is NOT the unique measure for describing the correspondence between the gain and the ideal gain

Selection of the reference variable

If such a selection is not possible:

The loopgain is NOT the unique measure for describing the correspondence between the gain and the ideal gain

Problems

Selection of the reference variable

If such a selection is not possible:

The loopgain is NOT the unique measure for describing the correspondence between the gain and the ideal gain

Problems

The controller seldom behaves as a natural two-port:

Selection of the reference variable

If such a selection is not possible:

The loopgain is NOT the unique measure for describing the correspondence between the gain and the ideal gain

Problems

The controller seldom behaves as a natural two-port:

According to network theory, a network can be modeled as a two-port if:

Selection of the reference variable

If such a selection is not possible:

The loopgain is NOT the unique measure for describing the correspondence between the gain and the ideal gain

Problems

The controller seldom behaves as a natural two-port:

According to network theory, a network can be modeled as a two-port if:
It has only three nodes

Selection of the reference variable

If such a selection is not possible:

The loopgain is NOT the unique measure for describing the correspondence between the gain and the ideal gain

Problems

The controller seldom behaves as a natural two-port:

According to network theory, a network can be modeled as a two-port if:

It has only three nodes

The ports are terminated with one-ports

Selection of the reference variable

If such a selection is not possible:

The loopgain is NOT the unique measure for describing the correspondence between the gain and the ideal gain

Problems

The controller seldom behaves as a natural two-port:

According to network theory, a network can be modeled as a two-port if:

- It has only three nodes

- The ports are terminated with one-ports

- The network is a natural two-port

Selection of the reference variable

If such a selection is not possible:

The loopgain is NOT the unique measure for describing the correspondence between the gain and the ideal gain

Problems

The controller seldom behaves as a natural two-port:

According to network theory, a network can be modeled as a two-port if:

- It has only three nodes

- The ports are terminated with one-ports

- The network is a natural two-port

In other cases the network needs to be modeled with more than two equations:

Selection of the reference variable

If such a selection is not possible:

The loopgain is NOT the unique measure for describing the correspondence between the gain and the ideal gain

Problems

The controller seldom behaves as a natural two-port:

According to network theory, a network can be modeled as a two-port if:

- It has only three nodes

- The ports are terminated with one-ports

- The network is a natural two-port

In other cases the network needs to be modeled with more than two equations:

Effects of common-mode port voltage/current cannot always be ignored

Selection of the reference variable

If such a selection is not possible:

The loopgain is NOT the unique measure for describing the correspondence between the gain and the ideal gain

Problems

The controller seldom behaves as a natural two-port:

According to network theory, a network can be modeled as a two-port if:

- It has only three nodes

- The ports are terminated with one-ports

- The network is a natural two-port

In other cases the network needs to be modeled with more than two equations:

- Effects of common-mode port voltage/current cannot always be ignored

There often exist local feedback loops inside the controller

Selection of the reference variable

If such a selection is not possible:

The loopgain is NOT the unique measure for describing the correspondence between the gain and the ideal gain

Problems

The controller seldom behaves as a natural two-port:

According to network theory, a network can be modeled as a two-port if:

- It has only three nodes

- The ports are terminated with one-ports

- The network is a natural two-port

In other cases the network needs to be modeled with more than two equations:

- Effects of common-mode port voltage/current cannot always be ignored

There often exist local feedback loops inside the controller

The loop gain reference should not be selected inside such a loop

Selection of the reference variable

If such a selection is not possible:

The loopgain is NOT the unique measure for describing the correspondence between the gain and the ideal gain

Problems

The controller seldom behaves as a natural two-port:

According to network theory, a network can be modeled as a two-port if:

- It has only three nodes

- The ports are terminated with one-ports

- The network is a natural two-port

In other cases the network needs to be modeled with more than two equations:

- Effects of common-mode port voltage/current cannot always be ignored

There often exist local feedback loops inside the controller

- The loop gain reference should not be selected inside such a loop

Check

Selection of the reference variable

If such a selection is not possible:

The loopgain is NOT the unique measure for describing the correspondence between the gain and the ideal gain

Problems

The controller seldom behaves as a natural two-port:

According to network theory, a network can be modeled as a two-port if:

It has only three nodes

The ports are terminated with one-ports

The network is a natural two-port

In other cases the network needs to be modeled with more than two equations:

Effects of common-mode port voltage/current cannot always be ignored

There often exist local feedback loops inside the controller

The loop gain reference should not be selected inside such a loop

Check

Over the operating range of interest (frequency, signal excursions):

Selection of the reference variable

If such a selection is not possible:

The loopgain is NOT the unique measure for describing the correspondence between the gain and the ideal gain

Problems

The controller seldom behaves as a natural two-port:

According to network theory, a network can be modeled as a two-port if:

- It has only three nodes

- The ports are terminated with one-ports

- The network is a natural two-port

In other cases the network needs to be modeled with more than two equations:

- Effects of common-mode port voltage/current cannot always be ignored

There often exist local feedback loops inside the controller

- The loop gain reference should not be selected inside such a loop

Check

Over the operating range of interest (frequency, signal excursions):

- The asymptotic-gain should approximate the ideal gain

Selection of the reference variable

If such a selection is not possible:

The loopgain is NOT the unique measure for describing the correspondence between the gain and the ideal gain

Problems

The controller seldom behaves as a natural two-port:

According to network theory, a network can be modeled as a two-port if:

It has only three nodes

The ports are terminated with one-ports

The network is a natural two-port

In other cases the network needs to be modeled with more than two equations:

Effects of common-mode port voltage/current cannot always be ignored

There often exist local feedback loops inside the controller

The loop gain reference should not be selected inside such a loop

Check

Over the operating range of interest (frequency, signal excursions):

The asymptotic-gain should approximate the ideal gain

The direct transfer should be much smaller than the ideal gain

Selection of the reference variable

If such a selection is not possible:

The loopgain is NOT the unique measure for describing the correspondence between the gain and the ideal gain

Problems

The controller seldom behaves as a natural two-port:

According to network theory, a network can be modeled as a two-port if:

It has only three nodes

The ports are terminated with one-ports

The network is a natural two-port

In other cases the network needs to be modeled with more than two equations:

Effects of common-mode port voltage/current cannot always be ignored

There often exist local feedback loops inside the controller

The loop gain reference should not be selected inside such a loop

Check

Over the operating range of interest (frequency, signal excursions):

The asymptotic-gain should approximate the ideal gain

The direct transfer should be much smaller than the ideal gain

Conclusions

Conclusions

The source-to-load transfer obtained from asymptotic-gain model always equals the source-to-load transfer obtained from network analysis, regardless the selection of the reference variable.

Conclusions

The source-to-load transfer obtained from asymptotic-gain model always equals the source-to-load transfer obtained from network analysis, regardless the selection of the reference variable.

The asymptotic-gain model facilitates the two-step design of feedback amplifiers

Conclusions

The source-to-load transfer obtained from asymptotic-gain model always equals the source-to-load transfer obtained from network analysis, regardless the selection of the reference variable.

The asymptotic-gain model facilitates the two-step design of feedback amplifiers

This requires proper selection of the loop gain reference

Conclusions

The source-to-load transfer obtained from asymptotic-gain model always equals the source-to-load transfer obtained from network analysis, regardless the selection of the reference variable.

The asymptotic-gain model facilitates the two-step design of feedback amplifiers

This requires proper selection of the loop gain reference

Controller becomes nullor if loop gain reference is replaced with a nullor

Conclusions

The source-to-load transfer obtained from asymptotic-gain model always equals the source-to-load transfer obtained from network analysis, regardless the selection of the reference variable.

The asymptotic-gain model facilitates the two-step design of feedback amplifiers

This requires proper selection of the loop gain reference

Controller becomes nullor if loop gain reference is replaced with a nullor

Proper selection of the loop gain reference can be verified:

Conclusions

The source-to-load transfer obtained from asymptotic-gain model always equals the source-to-load transfer obtained from network analysis, regardless the selection of the reference variable.

The asymptotic-gain model facilitates the two-step design of feedback amplifiers

This requires proper selection of the loop gain reference

Controller becomes nullor if loop gain reference is replaced with a nullor

Proper selection of the loop gain reference can be verified:

Asymptotic-gain should approximate the ideal gain

Conclusions

The source-to-load transfer obtained from asymptotic-gain model always equals the source-to-load transfer obtained from network analysis, regardless the selection of the reference variable.

The asymptotic-gain model facilitates the two-step design of feedback amplifiers

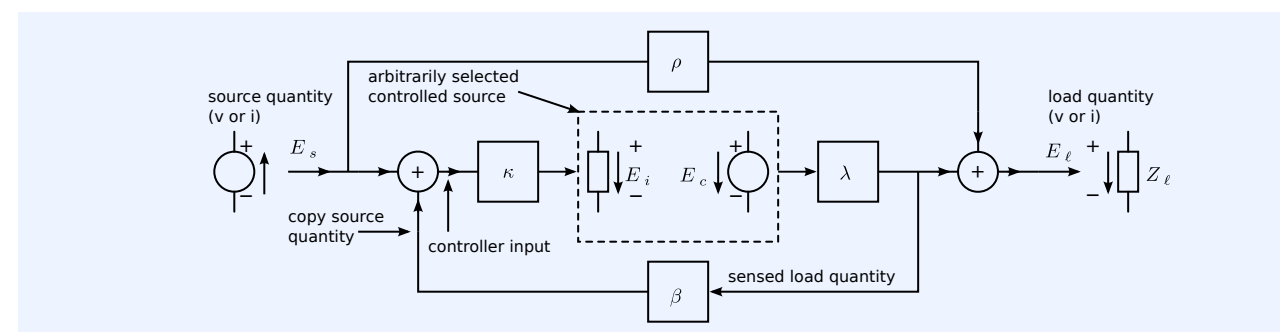
This requires proper selection of the loop gain reference

Controller becomes nullor if loop gain reference is replaced with a nullor

Proper selection of the loop gain reference can be verified:

Asymptotic-gain should approximate the ideal gain

Contribution of direct transfer to the gain should be negligible



Conclusions

The source-to-load transfer obtained from asymptotic-gain model always equals the source-to-load transfer obtained from network analysis, regardless the selection of the reference variable.

The asymptotic-gain model facilitates the two-step design of feedback amplifiers

This requires proper selection of the loop gain reference

Controller becomes nullor if loop gain reference is replaced with a nullor

Proper selection of the loop gain reference can be verified:

Asymptotic-gain should approximate the ideal gain

Contribution of direct transfer to the gain should be negligible